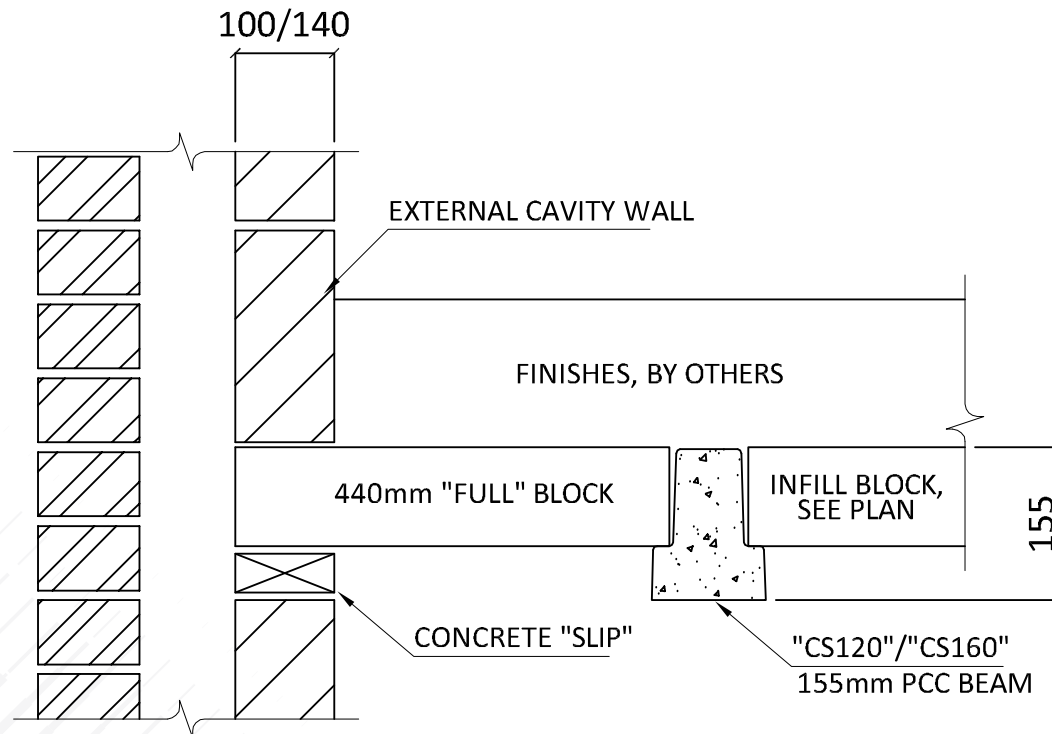
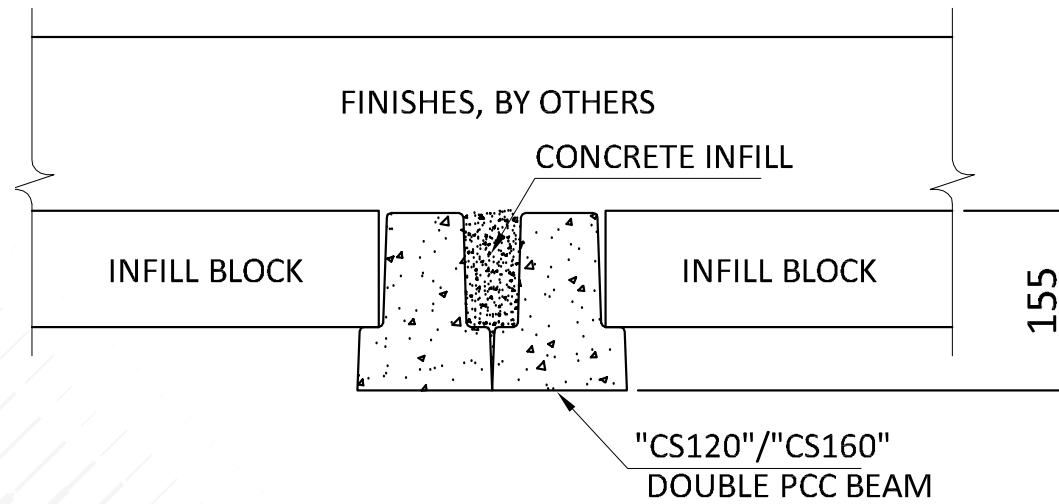


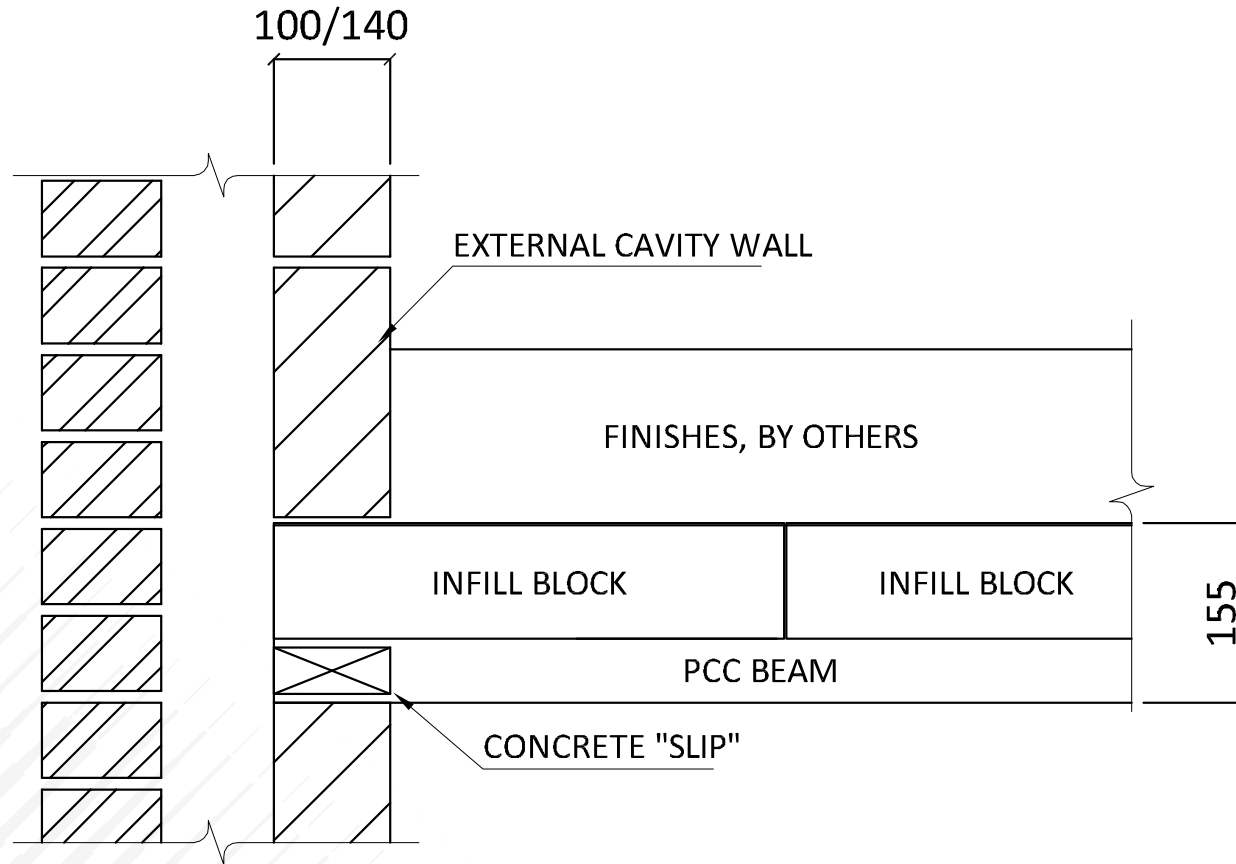
Block Bearing



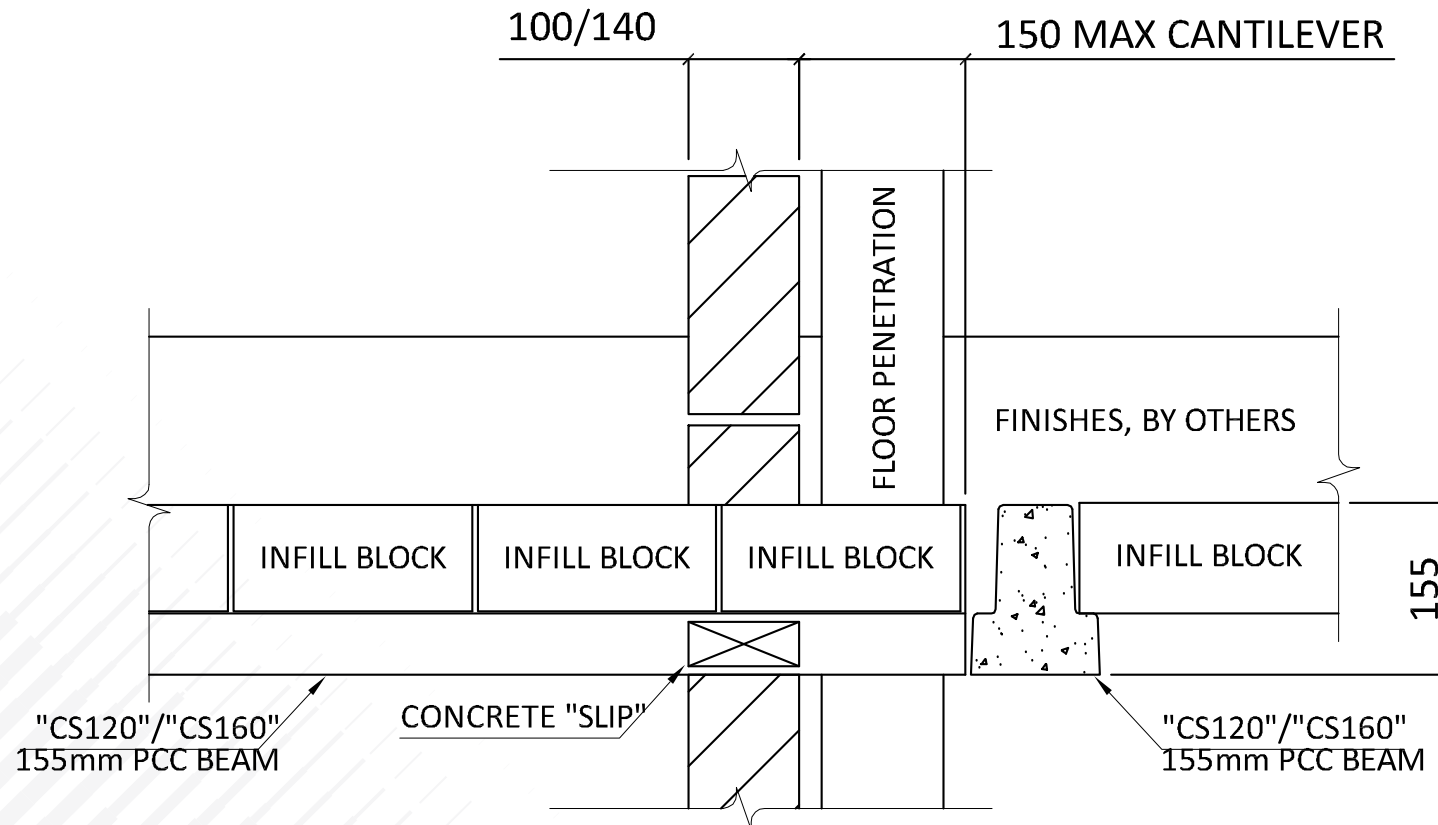
Double Beam



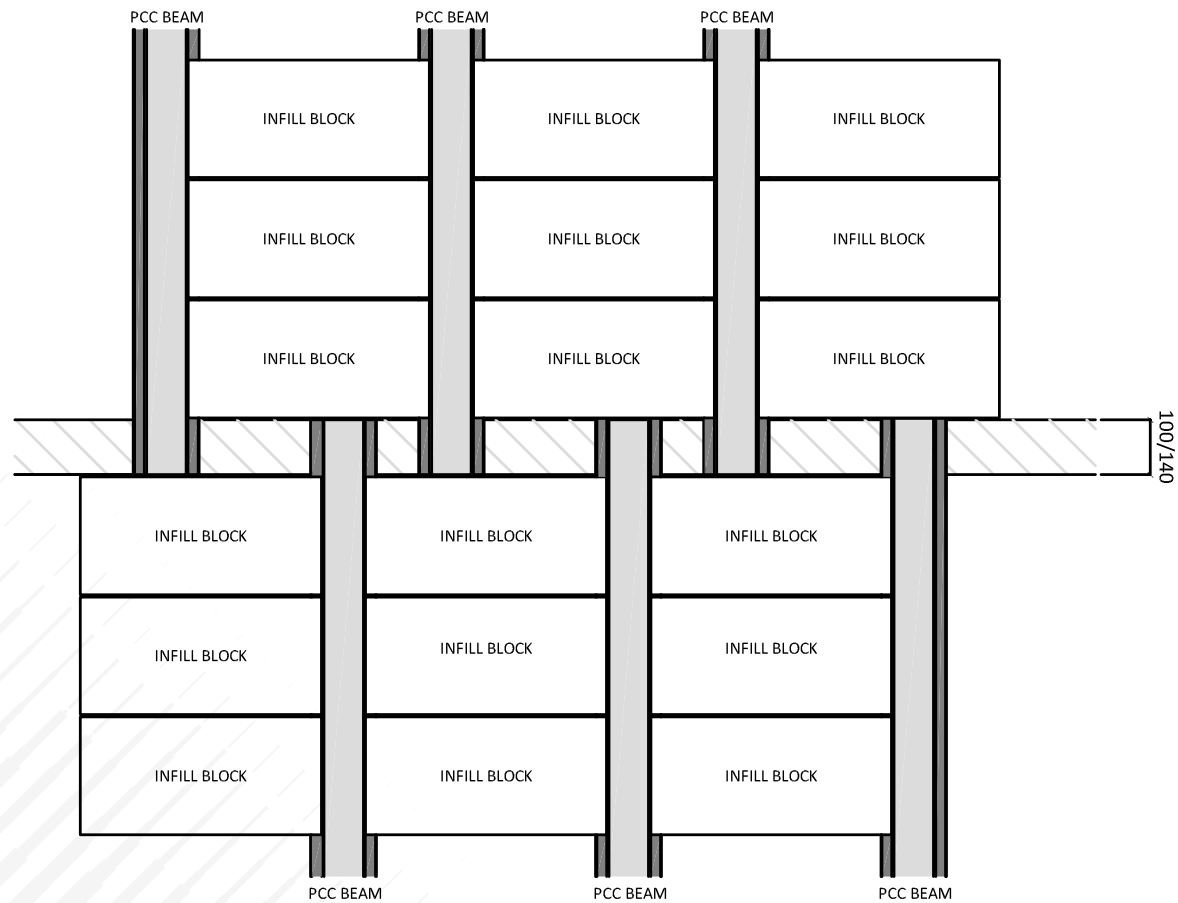
End Bearing



Pipe Cantilever



Shared Bearing



Triple Beam

