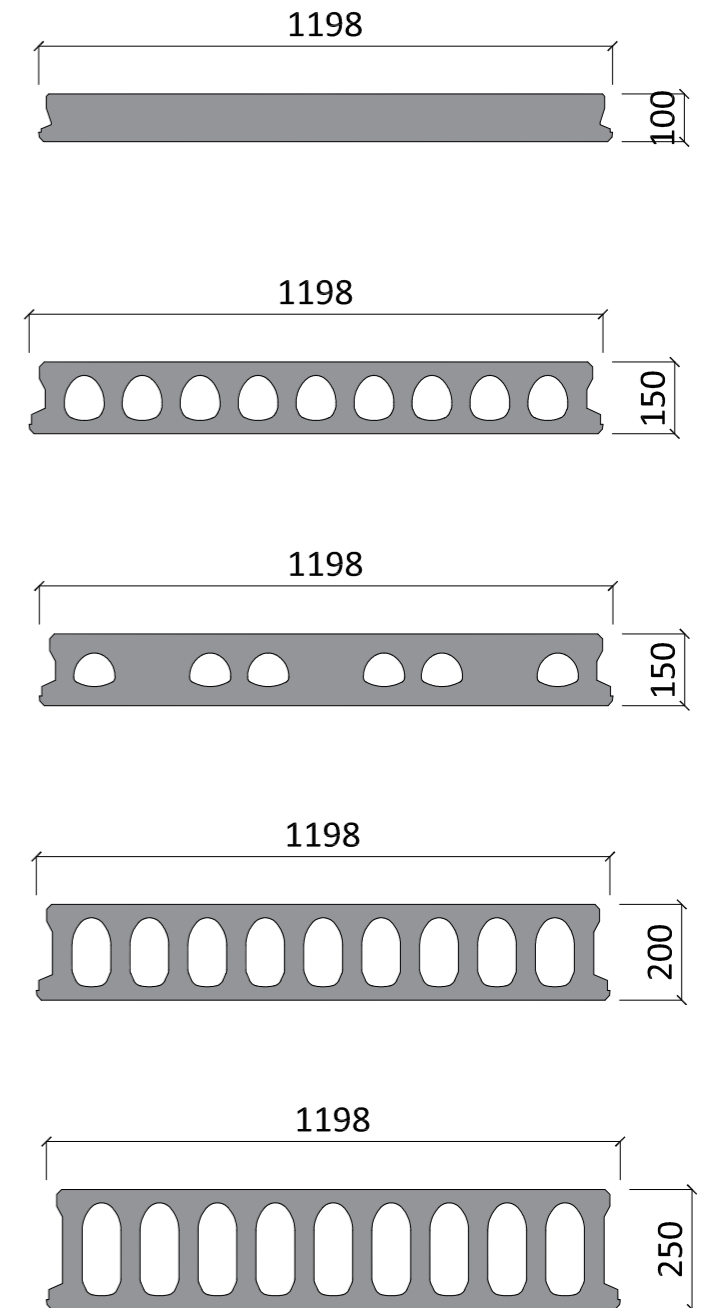


Hollowcore Load Span Table (m)

Dead Load	
1.80 (75mm Screed & Finishes) + 0.30 (Ceiling & Services)	
Partition Allowance (kN/m ²)	
0.50	1.00
Imposed Load (kN/m ²)	



Name	Type	Self Weight*	1.50	2.00	3.00	4.00	5.00	7.50
L100	100mm Deep Solid	245kg/m ²	5.00	4.90	4.60	4.30	4.10	3.70
L150	150mm Deep Standard	256kg/m ²	7.50	7.50	7.10	6.70	6.30	5.60
L150E	150mm Deep Acoustic	305kg/m ²	7.50	7.50	7.00	6.70	6.20	5.50
L200	200mm Deep	304kg/m ²	9.90	9.40	8.60	8.20	7.90	6.90
L250	250mm Deep	356kg/m ²	11.70	10.70	10.00	9.40	8.90	8.20



* Grouted weight